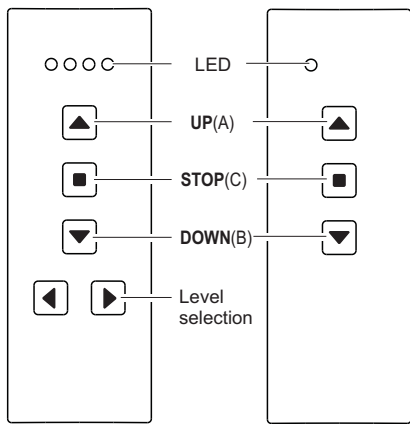


Models



RT32E5004-01
4x UP/STOP/DOWN
3-button operation

RT32E5001-01
1x UP/STOP/DOWN
3-button operation

Technical Data

Frequency: 868.30 MHz
 Radiated power: 0.39 mW
 Modulation: FSK
 Coding: Easywave A/B/C
 EasywavePlus (PTX)
 Power supply: 1x 3V battery, CR 2032
 Indicator: LED
 Operating temperature: -20°C to +60°C
 Range: free-field: approx. 150 m
 buildings: approx. 30 m
 Dimensions: 38 x 109 x 14 mm
 Weight: 37 g (incl. battery)

Scope of Delivery

Transmitter RT32 incl. battery, mounting plate, operating instruction

Intended Use

The transmitter may only be used to operate Easywave radio controls.

The manufacturer shall not be liable for any damage caused by improper or non-intended use!

Safety Advice



Before using the transmitter, carefully read through the operating instruction!

Note also the operating instructions of the radio receiver.

Never operate doors or other items of equipment without keeping them under watch as you do so. Persons could be placed in danger!

Keep the Mini Transmitter away from children!

Check at regular intervals that the device is ready to transmit!

Have faulty transmitters checked by the manufacturer!

Do not make any unauthorized alterations or modifications to the Mini Transmitter!

Function

The hand transmitters RT32 are radio transmitters with 3-button operation. By pushing a button the Easywave code A/B/C is transmitted and the associated Easywave receivers are switched in their selected operating mode.

The transmitter version RT32E5004-01 supports up to four levels. The group function allows the simultaneous controlling of all radio receivers.

The transmitter has a battery check function. If the battery is weak, the LED flashes during transmission approx. 3 sec.

At the end of the transmission process, an undervoltage telegram is transmitted. This telegram can be evaluated by adapted Easywave receivers. For information, read the operating instructions for the relevant receiver.

Using the Transmitter

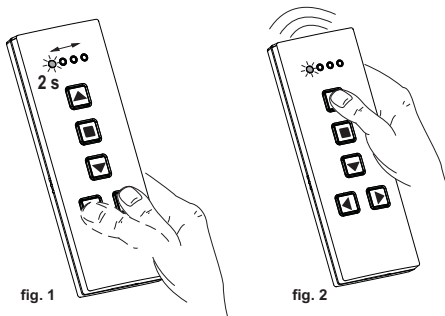
Transfer the transmission code of the button A to the radio receivers of the devices to be operated. For this read the operating instructions supplied with the radio receivers.

Note: With the learning button PTx (see fig. 3) you can bring the receiver into the programming mode. Please read the operating instructions, if the receiver supports this feature.

Select with the level buttons the desired level, the LED(s) glows approx. 2 Seconds (see fig. 1).

For sending you press one of the buttons UP or STOP or DOWN , the LED of the according level lights up (see fig. 2).

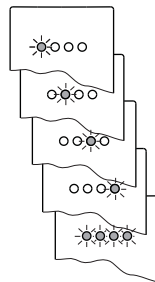
Pressing the level button for the first time, selects the last need level.



Level	Transmission Code	LED-View
-------	-------------------	----------

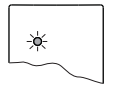
RT32E5004-01

1	A1/B1/C1	
2	A2/B2/C2	
3	A3/B3/C3	
4	A4/B4/C4	
1-4 (group function)	all codings	



RT32E5001-01

1	A/B/C	
---	-------	--



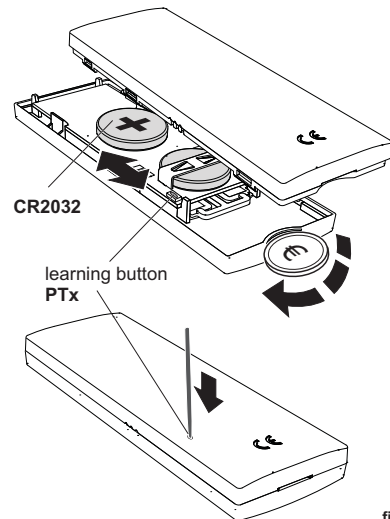
Troubleshooting

- If the LED flashes after depressing the transmitter button: please change the battery.
- If the LED's don't light up at all: check that the battery is correctly poled.
- If the radio receiver still doesn't react: go closer to the radio control or teach in the transmission code(s) to the radio receiver again.

Replacing the Battery

1. Insert a small coin into the slot at the bottom of the transmitter. Turn the coin diagonally and carefully press the two halves of the housing apart.
2. Replace the battery. Use only batteries of type CR2032.

Make sure the polarity is correct!



Disposal

Waste electrical products and batteries should not be disposed of with household waste!

Dispose of the waste product via a collection point for electronic scrap or via your specialist dealer.



Dispose of used batteries in a recycling bin for batteries or via the specialist trade.



Put the packaging material into a recycling bin for cardboard and paper.

Warranty

Within the statutory warranty period we undertake to rectify free of charge by repair or replacement any product defects arising from material or production faults.

Any unauthorized tampering with, or modifications to, the product shall render this warranty null and void.

Conformity



Hereby, ELDAT Eas GmbH declares that the radio equipment type RT32 is in compliance with Directive 2014/53/EU.

The full text of the EU declaration of conformity is available at the following internet address: www.eldat.de

Customer Service

If, despite correct handling, faults or malfunctions occur or if the product was damaged, please contact your retailer or the manufacturer.

ELDAT Eas GmbH

Schmiedestraße 2
 15745 Wildau
 Germany
 Phone: + 49 (0) 33 75 / 90 37-310
 Fax: + 49 (0) 33 75 / 90 37-90
 Internet: www.eldat.de
 E-Mail: info@eldat.de